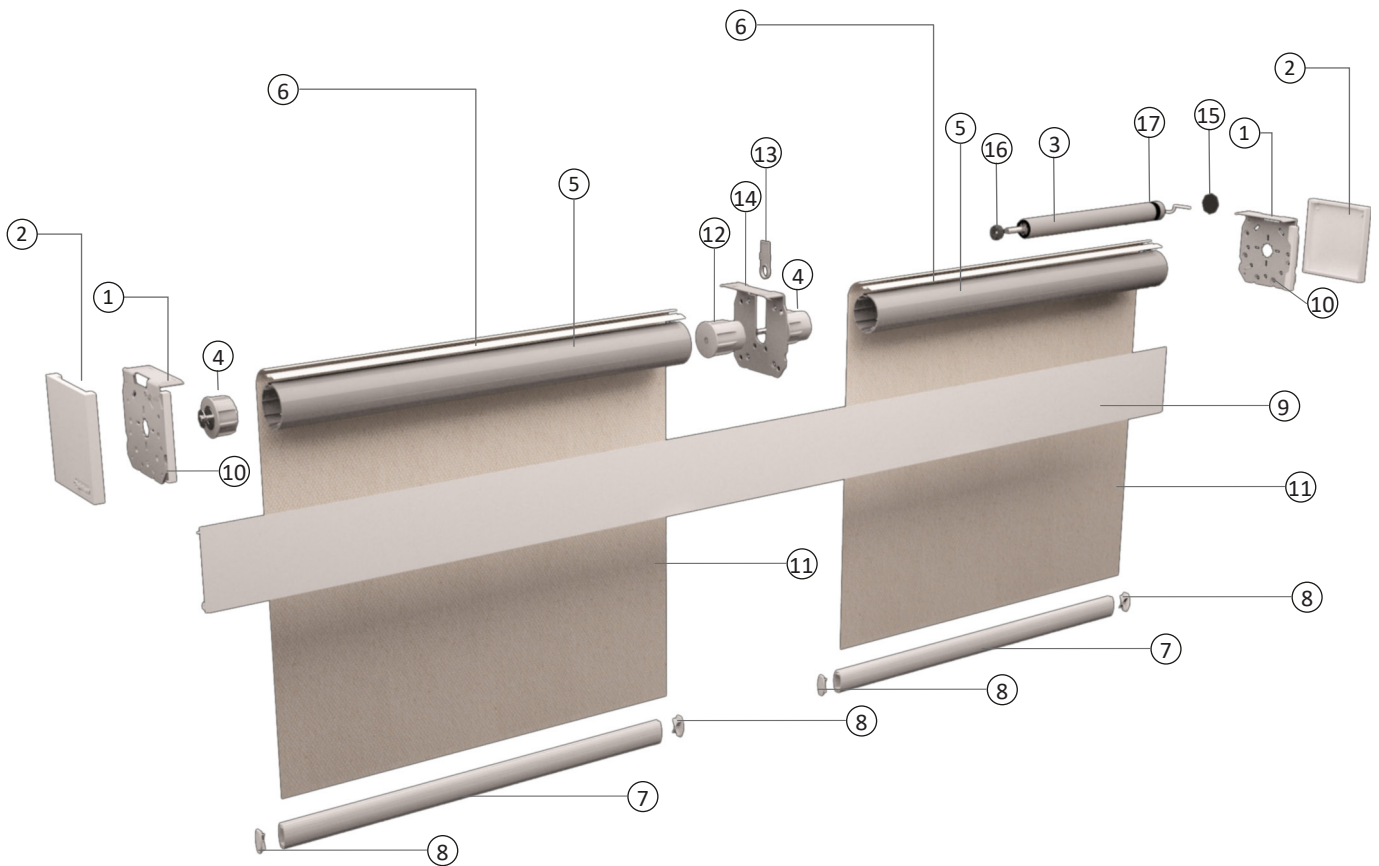


Serena® 100-MB

Multi band motorized roller system

Key Features :

- Heavy duty VRS 230 VAC or SMI 230 VAC / 24 VDC motor installed within the roller blind tube
- Up to 20 m² blind with a single motor system
- Built in auto stop mechanism for the upper and lower limit setting
- Robust anti deflection duty 47mm diameter tube
- Aesthetic end caps
- Aesthetic aluminum fascia is also available
- Face, top or wall fixing options



- | | | | |
|----------------------|--------------------|----------------------------|-----------------|
| 1. Mounting brackets | 6. Mounting spline | 11. Fabric | 16. Crown wheel |
| 2. Bracket cover | 7. Hem bar | 12. Center end plug | 17. Motor plate |
| 3. Motor | 8. End cap hem bar | 13. Bearing plug | |
| 4. End plug | 9. Optional fascia | 14. Center support bracket | |
| 5. Tube | 10. Fascia support | 15. Shaft adapter | |