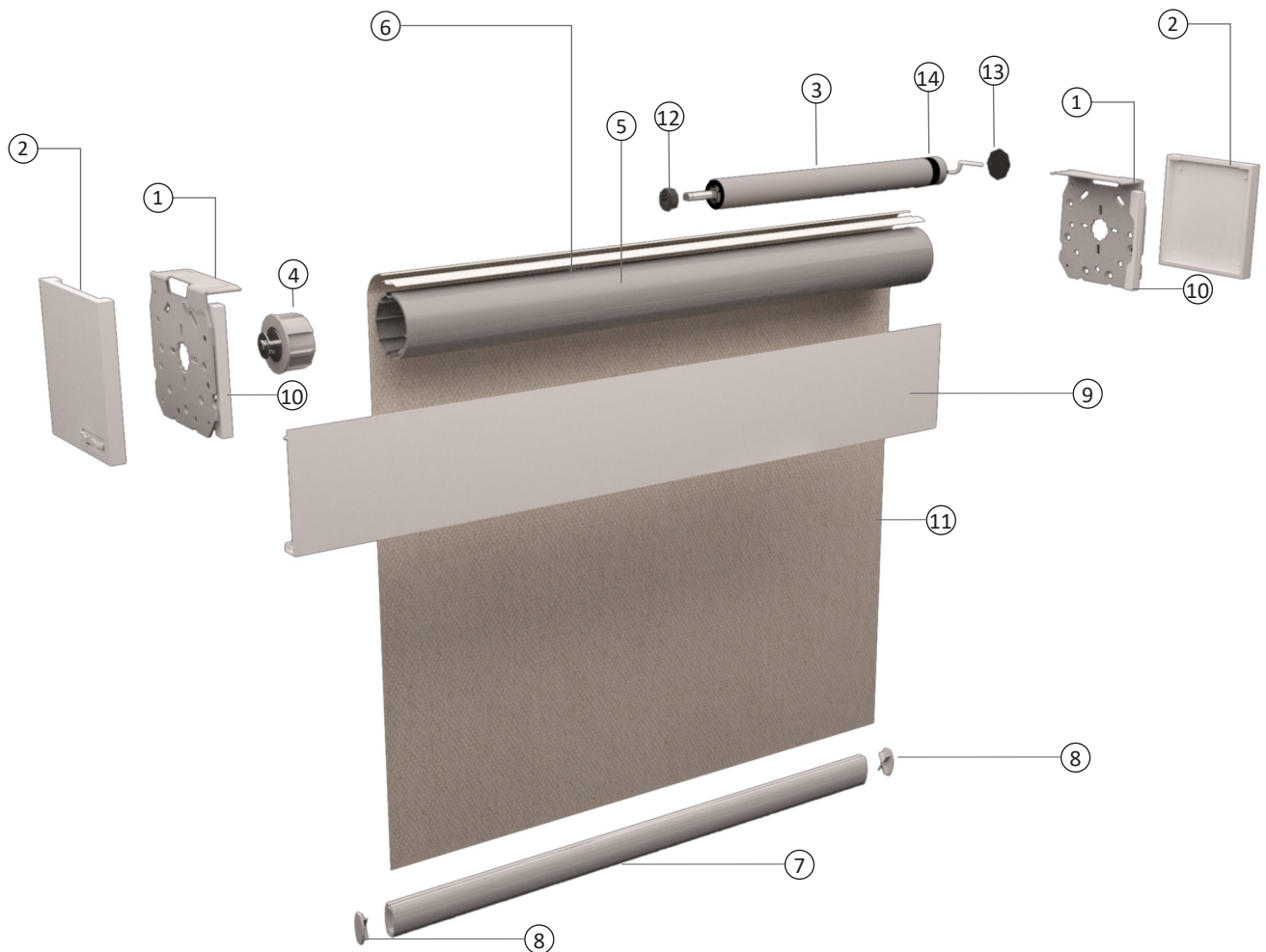


## Serena® 100

Motorized roller system

### Key Features :

- Heavy duty VRS 230 VAC or SMI 230 VAC/24 VDC motor installed within the roller blind tube
- Built in auto stop mechanism for upper and lower limit setting
- Robust anti-deflection duty 47 mm diameter tube
- Aesthetic end caps
- Aesthetic aluminum fascia available as option
- Face, top or wall fixing options



- |                      |                    |                    |                 |
|----------------------|--------------------|--------------------|-----------------|
| 1. Mounting brackets | 5. Tube            | 9. Optional fascia | 13. Crown wheel |
| 2. Bracket cover     | 6. Mounting spline | 10. Fascia support | 14. Motor plate |
| 3. Motor             | 7. Hem bar         | 11. Fabric         |                 |
| 4. End plug          | 8. End cap hem bar | 12. Shaft adapter  |                 |