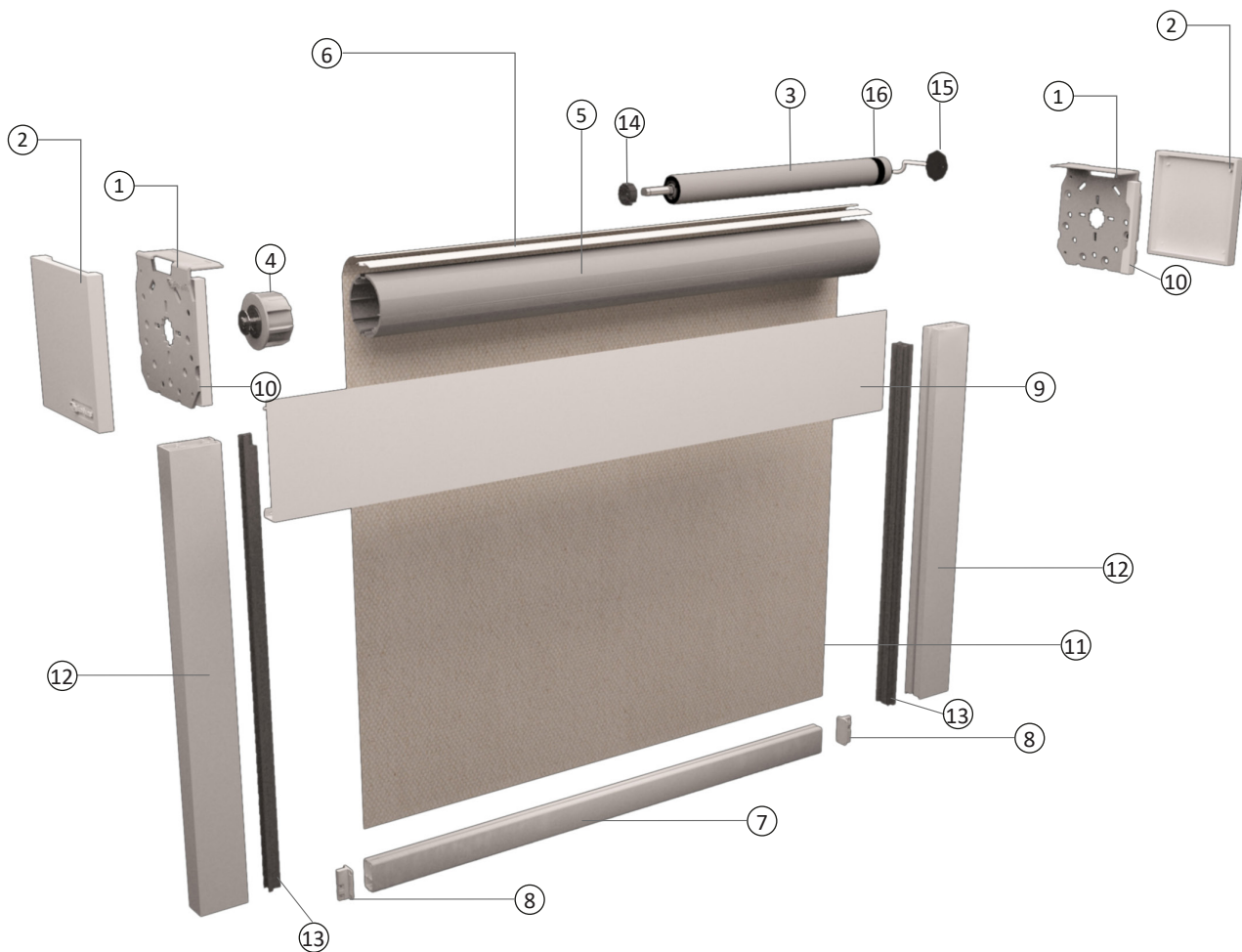


Serena® 100-ZC

Motorized roller system with zipper channel

Key Features :

- Heavy duty VRS 230 VAC or SMI 230 VAC / 24 VDC motor installed within the roller blind tube
- The zipper channel stabilizes the roller blind
- Built in auto stop mechanism for the upper and lower limit setting
- Robust anti-deflection duty 47 mm diameter tube
- Aesthetic end caps
- Aesthetic aluminum fascia available as option
- Face, Top or wall fixing options



- 1. Mounting brackets
- 2. Bracket cover
- 3. Motor
- 4. End plug

- 5. Tube
- 6. Mounting spline
- 7. Hem bar
- 8. End cap hem bar

- 9. Optional fascia
- 10. Fascia support
- 11. Fabric
- 12. Zipper channel

- 13. Zipper
- 14. Shat adapter
- 15. Crown wheel
- 16. Motor plate